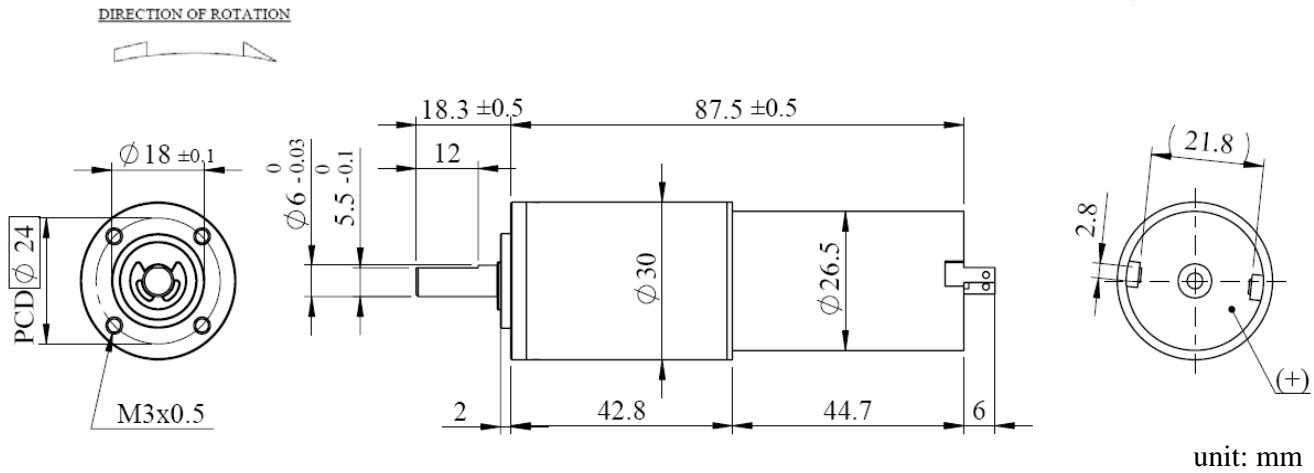




# PK30S Series of Coreless DC Planetary Gear Motor



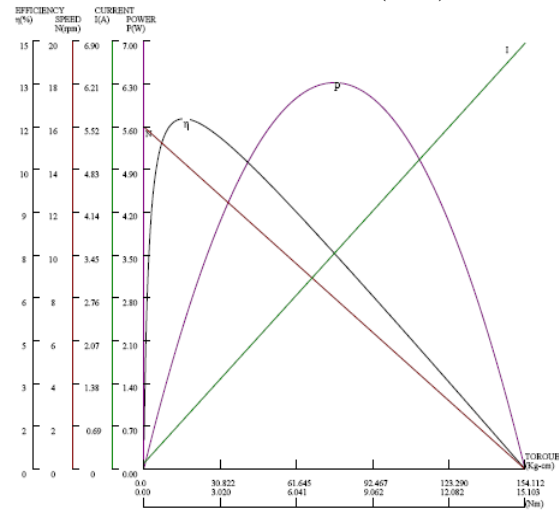
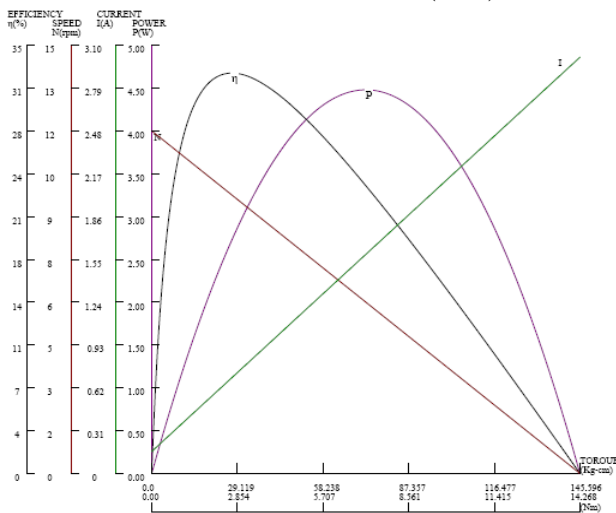
## Appearance Dimensions:



## Typical Performance Curves :

PK30SCE260-516 (12V)

PK30SCE980-516 (24V)



## Standard DC Gear Motor Specifications:

## Gearbox Specifications:

Model	Rated Voltage	Reduction Ratio	1/516	Gearbox Type	Planetary
0260	12V	No Load Speed(rpm)	12	Gear Material	Mixed
		No Load Current (mA)	160	Reduction Ratio	1/516
		Rated Torque (kg-cm)	15.00	Gearbox Length (L)	42.8
		Rated Speed (rpm)	10.5	Rated Torque (kg-cm)	15
		Rated Current (mA)	450	Max.Momentary Torque (kg-cm)	45
0980	24V	No Load Speed(rpm)	16	Efficiency (%)	50
		No Load Current (mA)	95	Radial Play of Shaft (mm)	0.05
		Rated Torque (kg-cm)	15.00	Thrust Play of Shaft (mm)	0.30
		Rated Speed (rpm)	14.5	Output Shaft Axial Load (kg)	2.50
		Rated Current (mA)	750	Output Shaft Radial Load (kg)	3.00

## Notes:

1. The specifications may change or update without notice since the product improvement.
2. The customized specifications would be available.